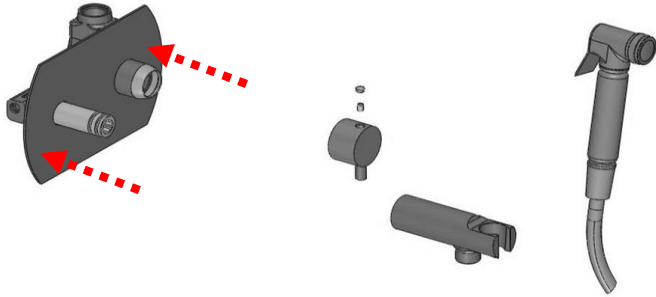
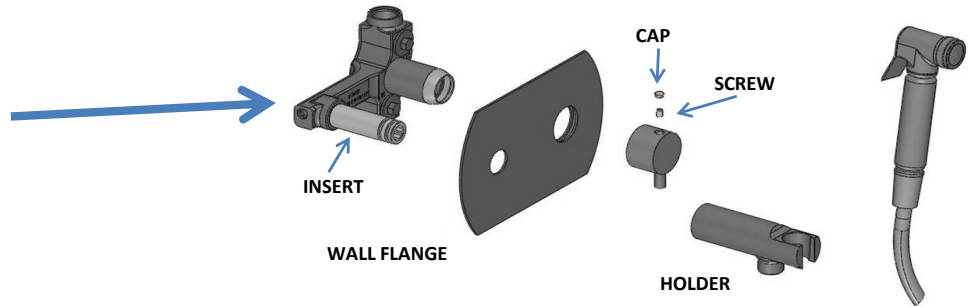
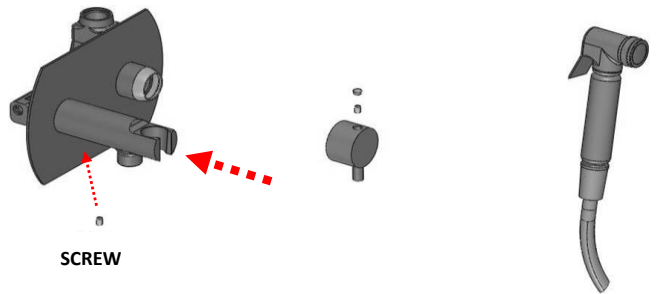


INSTALL THE BODY ACCORDING TO THE INDICATIONS OF THE TECHNICAL SHEET AND VERIFY ALL THE SEALS

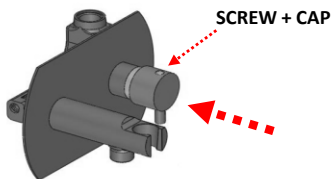


PUT THE WALL FLANGE ON THE BODY AND AGAINST THE WALL

PUT THE HANDSHOWER HOLDER ON THE INSERT AND FIX IT WITH THE SCREW

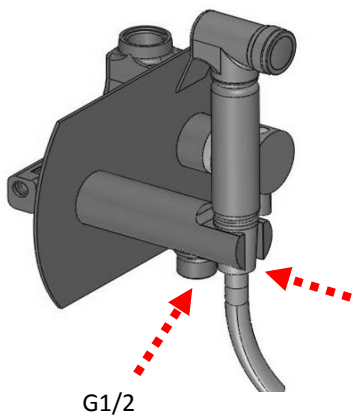


SCREW



SCREW + CAP

PUT THE HANDLE ON THE CARTRIDGE ROD AND FIX IT WITH THE SCREW . PUT THE CAP ON THE HANDLE .



G1/2

CONNECT THE HAND SHOWER TO THE FLEXIBLE CONE AND THE OTHER END OF THE FLEXIBLE TO THE G1/2 CONNECTION OF THE HOLDER